

# GFI & Relay control

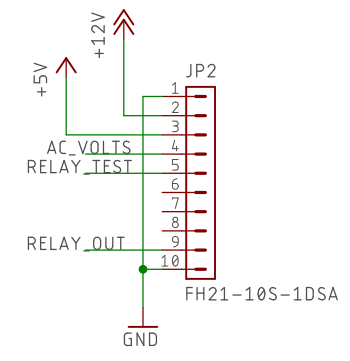
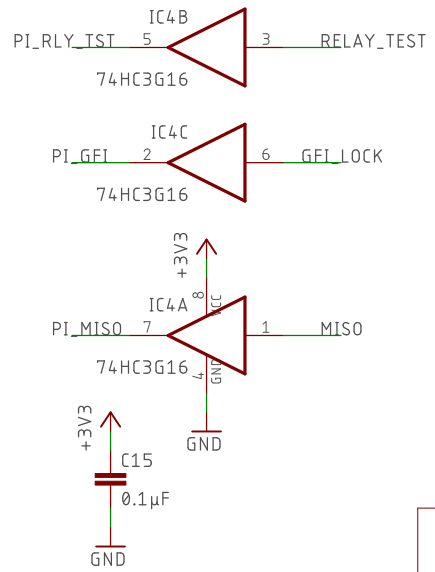
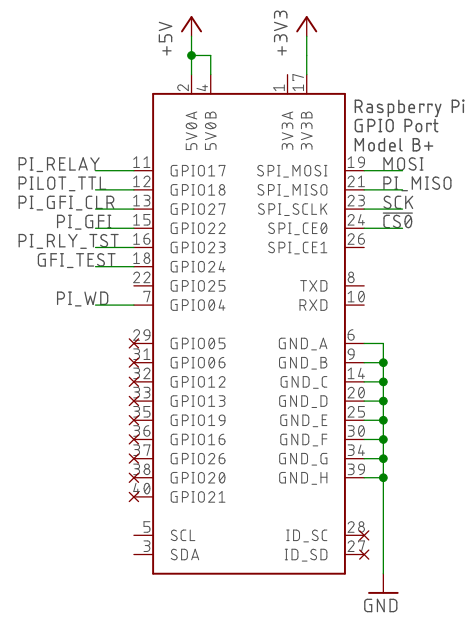
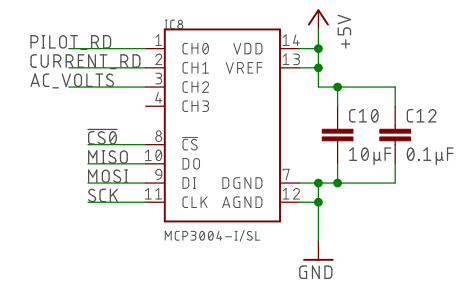
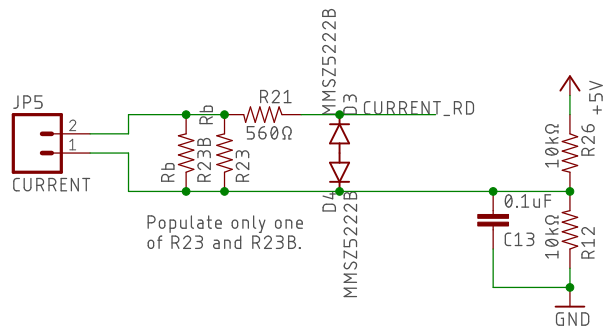
TITLE: pi EVSE hat v4\_1\_1

Document Number:

REV:

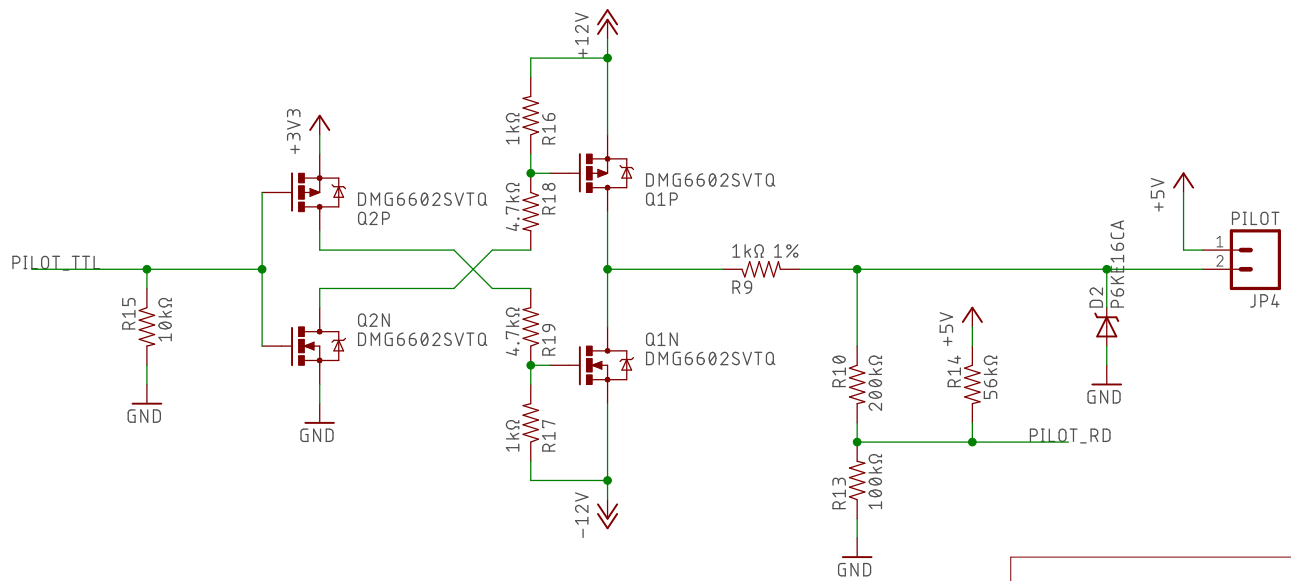
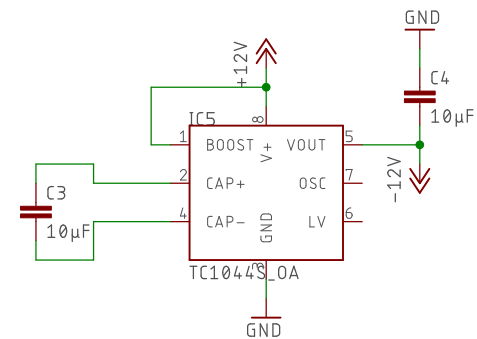
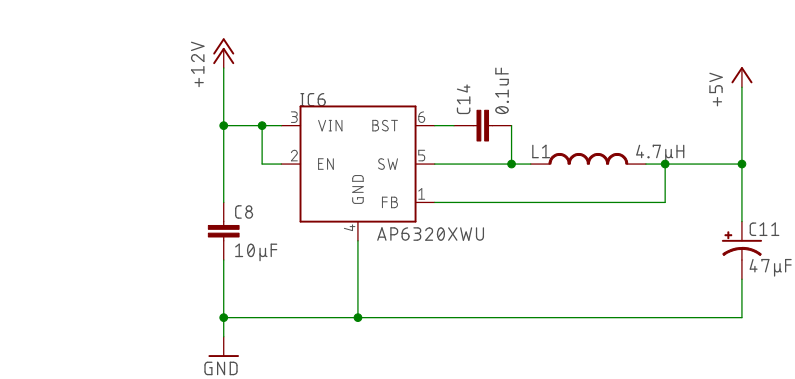
Date: 7/15/21 3:20 PM

Sheet: 1/3



# Interfaces & ADC

TITLE: pi EVSE hat v4_1_1	
Document Number:	REV:
Date: 7/15/21 3:20 PM	Sheet: 2/3



<h1>PILOT &amp; Power</h1>	
TITLE: pi EVSE hat v4_1_1	
Document Number:	REV:
Date: 7/15/21 3:20 PM	Sheet: 3/3